

Piezoelectric Analysis

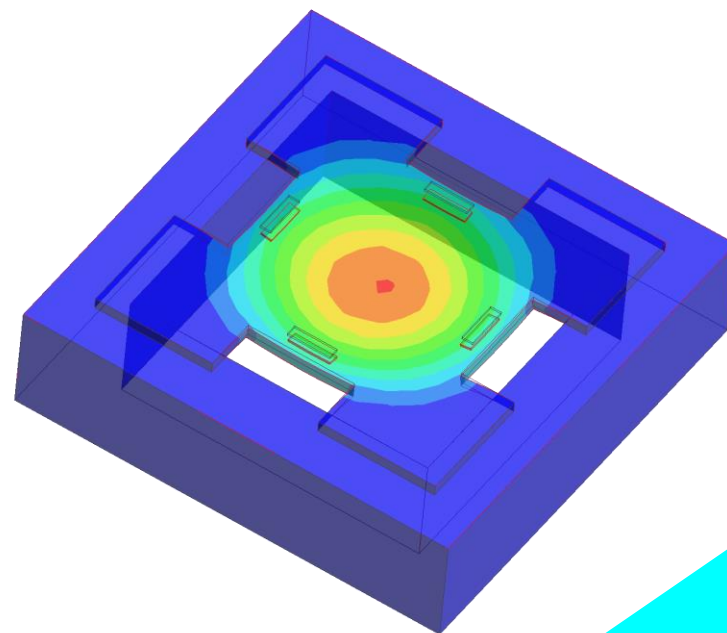
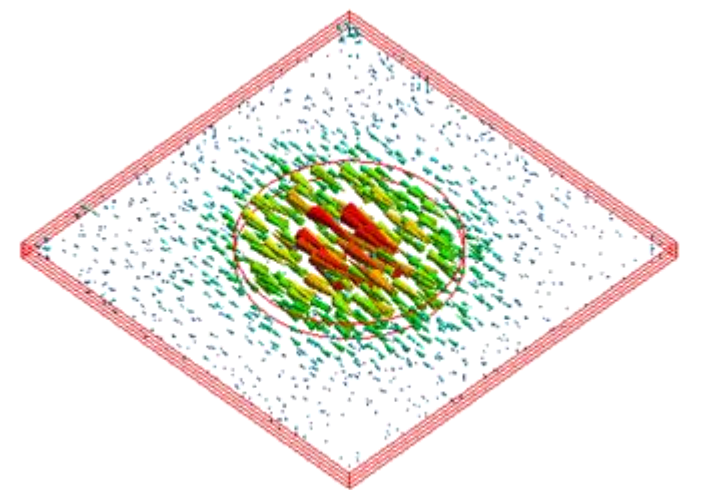
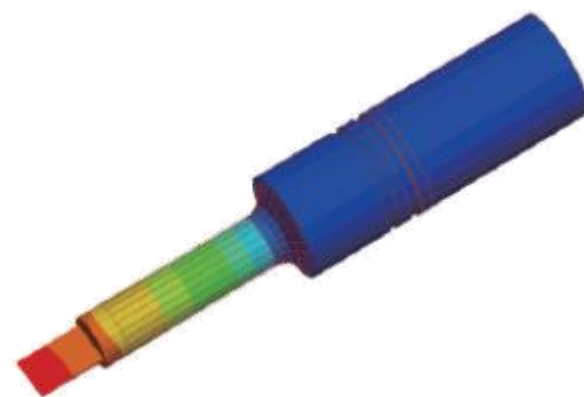
3D/2D Finite Element Method Analysis Software

Drive Your Ideas to Reality

Piezoelectric solver simulates, just to name a few, behavior of piezoelectric materials like quartz and piezoelectric ceramics. Vibration distribution and impedance characteristics are solved as well.

Capabilities at a Glance

- Vibration distribution
- Impedance
- Piezoelectric crystal
- Piezoelectric ceramic
- Sensor
- Horn
- Buzzer
- Actuator
- Gyro sensor
- Transducer
- MEMS device



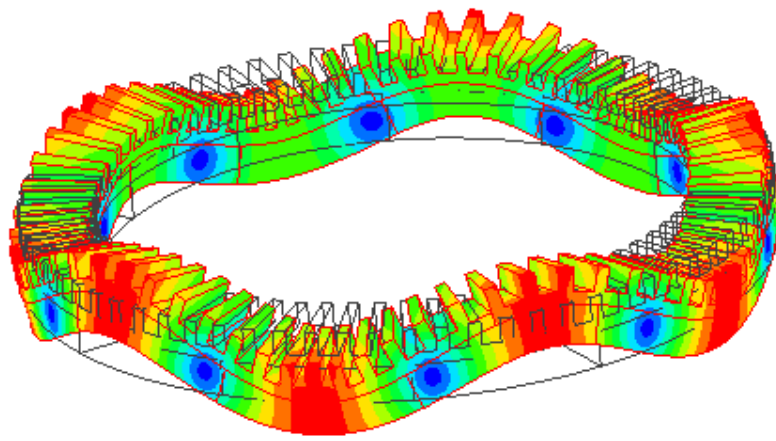
[Try Femtet free of charge for 60 days](#)

Piezoelectric Analysis

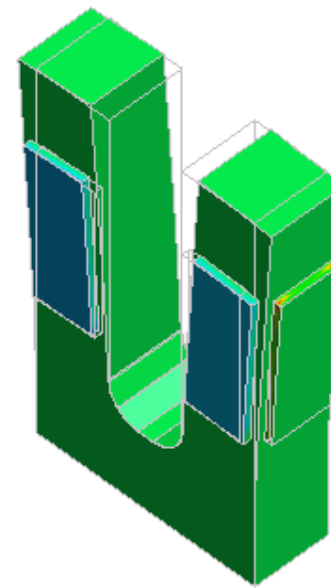
3D/2D Finite Element Analysis Software

Optimization Is What Counts

How you optimize your design is important, especially in the early stages of your engineering activity. It will reduce the incurring time and cost of, product development and making/re-working prototype samples. The piezoelectric solver provides you with the best possible solution to your design by calculating the items like resonance, frequency characteristics of impedance, and behavior when voltage is applied.



Ultrasonic Motor



Gyro Sensor

Further Benefits

Comprehensive Functionalities

All in one package from modeling to meshing, simulation, and to results display.

Intuitive Operations

Rich in graphical user interface.
Automatic meshing suitable for each analysis condition.

Efficient Engineering

Capable of batch processing and parametric analysis that are essential for optimizing your design. VBA macro function is available.

Database Management

A wide range of data can be stored and shared among a group of users; materials, body attributes, and analysis conditions

CAD Translator

Supports various kinds of CAD formats to import and export, and lets you use the data on hand straight away.

Multiphysics

In addition to the piezoelectric analysis, Femtet has a solver for the acoustics. A coupled analysis of these solvers is possible.