

Question 17

Q: Why does the Lanczos calculation not converge?

A: Please refer to the Femtet help menu below for more information.

Home>Error List>Calculation Errors>E3061 No Convergence in the Lanczos Calculation

*Cited from the help menu above.

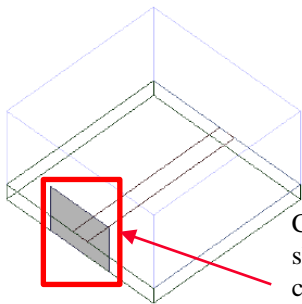
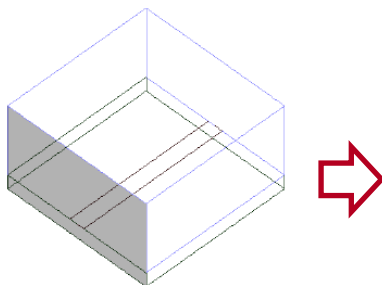
In the case of 3D harmonic electromagnetic analysis, too high or too low frequency may cause this error.

If the port size is larger than half wavelength, consider making the port size smaller.

(See the diagrams below)

If the port size is smaller than 1/1000 wavelength, the low frequency could be the cause.

Please try to avoid such a setting.



Create the port face with a sheet body. Set a port boundary condition to the face.